

SMS FLATSCREEN CL VST



The view from above.

The SMS Flatscreen CL VST is a neat ceiling bracket for lighter screens. It can carry screens up to 15 kg. This bracket is available in many different lengths and will fit most ceiling heights. The SMS Clamp (page 6:C1) can also be mounted on to the SMS Flatscreen CL VST.

- | | | | |
|---|--|--|--|
| <input checked="" type="radio"/> Ceiling | <input type="radio"/> Heavy weight | <input type="radio"/> Fixed | <input checked="" type="radio"/> Variable |
| <input type="radio"/> Wall | <input type="radio"/> Middle weight | <input checked="" type="radio"/> Swivel | <input type="radio"/> UniSlide |
| <input type="radio"/> Floor | <input checked="" type="radio"/> Light weight | <input checked="" type="radio"/> Tilt | <input type="radio"/> Hidden |
| <input type="radio"/> Table | | <input type="radio"/> 3D | <input type="radio"/> Double |
| | | <input type="radio"/> Mobile | |

SMS FLATSCREEN CL VST

INFO

- Color: Aluminum/silver or black.
- Max load: 15 kg
- Length: 300-350, 500-750, 650-900, 850-1100 and 1050-1300 mm.
- Tilt/Swivel: The screen can be tilted 35° and swiveled 360°.
- Ceiling plate: 190x120 mm.

Optional: SMS Clamp (page 6:C1).

Unislide included: SMS Flatscreen L Unislide (See page 1:U3).

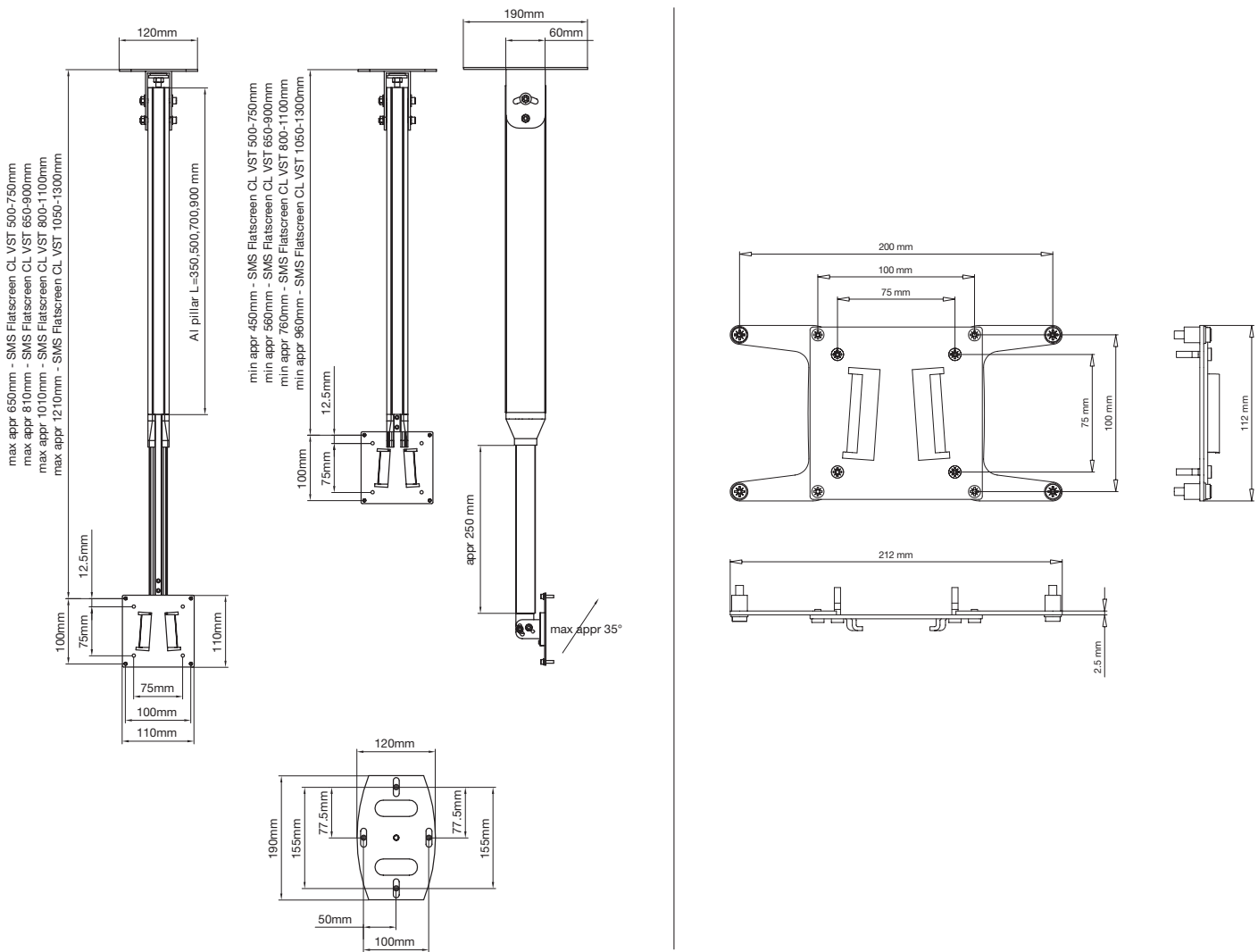
Supports Vesa standard: 75x75/100x100/200x100 mm.

ART. NO

FS021001
FS021002
FS021003
FS021004
FS021005
FS021006
FS021007
FS021008
FS021009
FS021010
FS021011
FS021012
FS021013
FS021014
FS021015

DESCRIPTION

SMSFlatscreen CL VST300-350 Black
SMSFlatscreen CL VST300-350 A/S
SMSFlatscreen CL VST500-750 Black
SMSFlatscreen CL VST500-750 A/S
SMSFlatscreen CL VST650-900 Black
SMSFlatscreen CL VST650-900 A/S
SMSFlatscreen CL VST850-1100 Black
SMSFlatscreen CL VST850-1100 A/S
SMSFlatscreen CL VST1050-1300 Black
SMSFlatscreen CL VST1050-1300 A/S
SMSFlatscreen CL VST300-350 Alu/Black
SMSFlatscreen CL VST500-750 Alu/Black
SMSFlatscreen CL VST650-900 Alu/Black
SMSFlatscreen CL VST850-1100 Alu/Black
SMSFlatscreen CL VST1050-1300 Alu/Black



SMART MEDIA SOLUTIONS

www.SmartMediaSolutions.se